

**GRIPfit<sup>®</sup>** inch

PUSH-IN FITTINGS

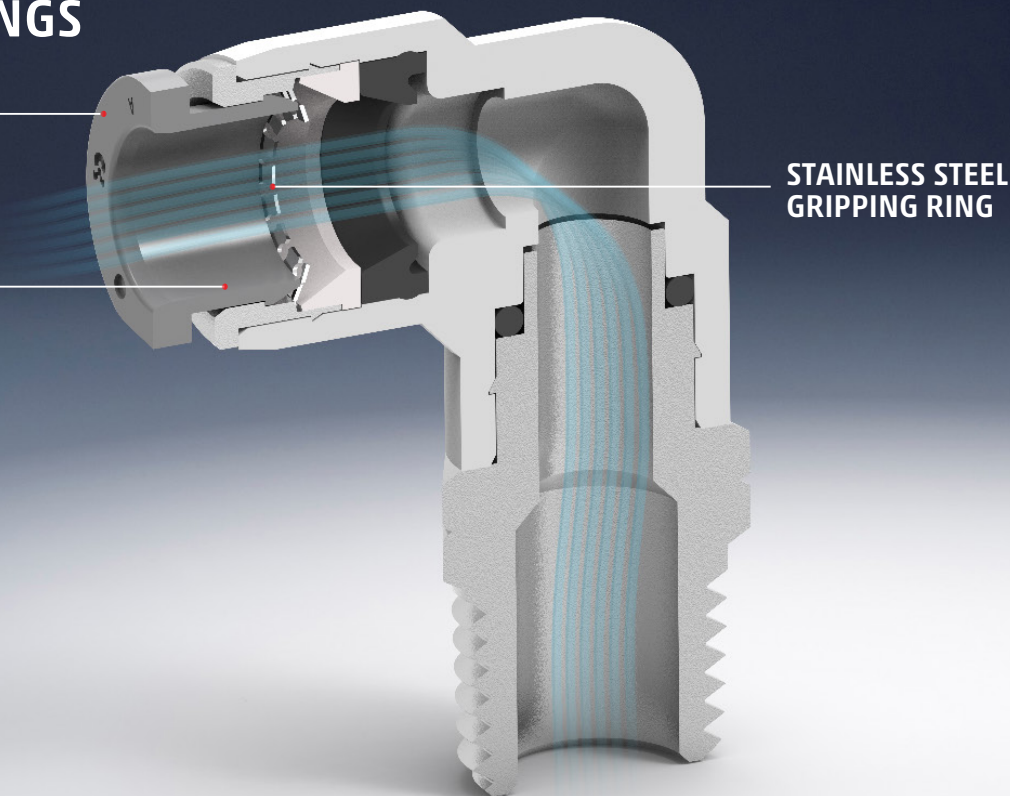


# THE LATEST GENERATION OF PUSH-IN FITTINGS

**FAST CONNECTION AND DISCONNECTION**

**FULL FLOW**

Designed for optimal fluid flow to provide better efficiency



GRIPfit® *inch* is the latest generation of push-in fittings developed to cover and satisfy the needs of industrial automation.

Made with high-performance materials, this new range of fittings is equipped with a **flexible stainless steel gripping ring** to facilitate the connection and disconnection of most semi-rigid tubes, limiting the effects of tube marking and **guaranteeing a robust and reliable sealing** on the whole surface of the tube.

GRIPfit® *inch* is ideal for vacuum and low pressures both in static and dynamic applications, thanks to **shaped sealing technology**. The materials used comply with the main standards and directives and have been designed to meet and adapt perfectly to the specific application requirements of each sector.

Reliable connection, compact dimensions and easy installation in confined spaces are only some of the features that make this new range of fittings an **innovative solution for many applications**.

## BENEFITS



**Easy to connect and disconnect**



**Optimum sealing**



**Long life cycle**



**High flow capacity**



**Limited marking on tubing**

**GRIPfit**<sup>®</sup> inch  
**PUSH-IN FITTINGS**

**Series 7000 - Automation**



**BENEFITS**

 **Optimum sealing**

 **Maximum flow**

 **Compact and lightweight**

**REGULATIONS**

 ISO 14743:2020

 Reach

 RoHS

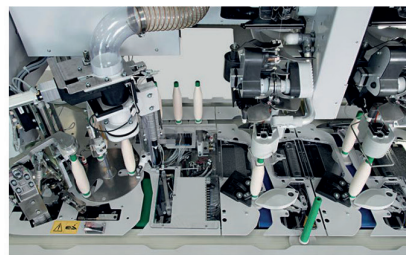
**GENERAL DATA**

Applicable fluid	Compressed air
Operating pressure	29.5" Hg vacuum up to 150 psi
Operating temperature range	32°F to 140°F
Hose materials used	Nylon 11 or 12 Polyurethane 85 or 95 durometer
Material	Body: PBT   Seals: NBR (silicone free) Threaded bodies: nickel plated brass   Push button and backing ring: POM Gripping: stainless steel   Collar: zinc
Tube Sizes	Standard: 5/32", 1/4", 5/16", 3/8" and 1/2"
Thread sizes	Standard: 10-32 UNF, 1/8", 1/4", 3/8", 1/2" NPT

**APPLICATIONS**



Packaging equipment



Textile machinery



Vacuum devices

**Fittings Mod. T6510 - T6512**

MALE STRAIGHT  
Nickel-plated brass  
Thread NPTF (Pre-applied sealant)

Mod.	OD	Thread
T6512 53-32	5/32	10-32 UNF
T6510 53-02	5/32	1/8
T6510 53-04	5/32	1/4
T6512 04-32	1/4	10-32 UNF
T6510 04-02	1/4	1/8
T6510 04-04	1/4	1/4
T6510 04-06	1/4	3/8
T6510 05-02	5/16	1/8
T6510 05-04	5/16	1/4
T6510 05-06	5/16	3/8
T6510 05-08	5/16	1/2
T6510 06-02	3/8	1/8
T6510 06-04	3/8	1/4
T6510 06-06	3/8	3/8
T6510 06-08	3/8	1/2
T6510 08-02	1/2	1/8
T6510 08-04	1/2	1/4
T6510 08-06	1/2	3/8
T6510 08-08	1/2	1/2

**Fittings Mod. T6512**

ROUND MALE STRAIGHT  
Nickel-plated brass  
Thread UNF (O-ring)

Mod.	OD	Thread
T6512 53-32-M	5/32	10-32 UNF
T6512 04-32-M	1/4	10-32 UNF

**Fittings Mod. T6463**

FEMALE STRAIGHT  
Nickel-plated brass  
Thread NPTF

Mod.	OD	Thread
T6510 53-02	5/32	1/8
T6510 53-04	5/32	1/4
T6463 04-02	1/4	1/8
T6463 04-04	1/4	1/4
T6463 05-02	5/16	1/8
T6463 05-04	5/16	1/4
T6463 06-04	3/8	1/4
T6463 06-06	3/8	3/8
T6463 08-04	1/2	1/4
T6463 08-06	1/2	3/8

**Fittings Mod. T7520 - T7522**

MALE ELBOW  
Thread NPTF (Pre-applied sealant)

Mod.	OD	Thread
T7522 53-32	5/32	10-32 UNF
T7520 53-02	5/32	1/8
T7520 53-04	5/32	1/4
T7522 04-32	1/4	10-32 UNF
T7520 04-02	1/4	1/8
T7520 04-04	1/4	1/4
T7520 04-06	1/4	3/8
T7520 04-08	1/4	1/2
T7520 05-02	5/16	1/8
T7520 05-04	5/16	1/4
T7520 05-06	5/16	3/8
T7520 05-08	5/16	1/2
T7520 06-02	3/8	1/8
T7520 06-04	3/8	1/4
T7520 06-06	3/8	3/8
T7520 06-08	3/8	1/2
T7520 08-04	1/2	1/4
T7520 08-06	1/2	3/8
T7520 08-08	1/2	1/2

**Fittings Mod. T7527**

EXTENDED MALE ELBOW  
Thread NPTF (Pre-applied sealant)

Mod.	OD	Thread
T7527 53-02	5/32	1/8
T7527 53-04	5/32	1/4
T7527 04-02	1/4	1/8
T7527 04-04	1/4	1/4
T7527 06-02	3/8	1/8
T7527 06-04	3/8	1/4
T7527 06-06	3/8	3/8

**Fittings Mod. T7523**

FEMALE ELBOW  
Thread NPTF

Mod.	OD	Thread
T7523 53-02	5/32	1/8
T7523 04-02	1/4	1/8
T7523 04-04	1/4	1/4
T7523 06-04	3/8	1/4
T7523 06-06	3/8	3/8
T7523 08-06	1/2	3/8
T7523 08-08	1/2	1/2

**Fittings Mod. T7110 - T7112**

MALE 135°  
Thread NPTF (Pre-applied sealant)

Mod.	OD	Thread
T7112 53-32	5/32	10-32 UNF
T7110 53-02	5/32	1/8
T7110 04-02	1/4	1/8
T7110 04-04	1/4	1/4
T7110 05-02	5/16	1/8
T7110 05-04	5/16	1/4
T7110 05-06	5/16	3/8
T7110 06-02	3/8	1/8
T7110 06-04	3/8	1/4
T7110 06-06	3/8	3/8
T7110 08-04	1/2	1/4
T7110 08-06	1/2	3/8
T7110 08-08	1/2	1/2

**Fittings Mod. T7430 - T7432**

MALE BRANCH TEE  
Thread NPTF (Pre-applied sealant)

Mod.	OD	Thread
T7432 53-32	5/32	10-32 UNF
T7430 53-02	5/32	1/8
T7430 53-04	5/32	1/4
T7430 04-02	1/4	1/8
T7430 04-04	1/4	1/4
T7430 04-06	1/4	3/8
T7430 06-02	3/8	1/8
T7430 06-04	3/8	1/4
T7430 06-06	3/8	3/8
T7430 06-08	3/8	1/2
T7430 08-04	1/2	1/4
T7430 08-06	1/2	3/8
T7430 08-08	1/2	1/2



### Fittings Mod. T7433

FEMALE BRANCH TEE  
Thread NPTF



Mod.	OD	Thread
T7433 04-02	1/4	1/8
T7433 04-04	1/4	1/4
T7433 05-04	5/16	1/4
T7433 05-06	5/16	3/8
T7433 06-04	3/8	1/4

### Fittings Mod. T7440 - T7442

MALE RUN TEE  
Thread NPTF (Pre-applied sealant)



Mod.	OD	Thread
T7442 53-32	5/32	10-32 UNF
T7440 53-02	5/32	1/8
T7440 53-04	5/32	1/4
T7440 04-02	1/4	1/8
T7440 04-04	1/4	1/4
T7440 04-06	1/4	3/8
T7440 06-04	3/8	1/4
T7440 06-06	3/8	3/8
T7440 06-08	3/8	1/2
T7440 08-04	1/2	1/4
T7440 08-06	1/2	3/8
T7440 08-08	1/2	1/2

### Fittings Mod. T7450 - T7452

MALE Y  
Thread NPTF (Pre-applied sealant)



Mod.	OD	Thread
T7450 53-02	5/32	1/8
T7450 53-04	5/32	1/4
T7452 04-32	1/4	10-32 UNF
T7450 04-02	1/4	1/8
T7450 04-04	1/4	1/4
T7450 05-04	5/16	1/4
T7450 05-06	5/16	3/8
T7450 05-08	5/16	1/2
T7450 06-02	3/8	1/8
T7450 06-04	3/8	1/4
T7450 06-06	3/8	3/8
T7450 06-08	3/8	1/2
T7450 08-04	1/2	1/4
T7450 08-06	1/2	3/8
T7450 08-08	1/2	1/2

### Fittings Mod. T7622 - T7631

MALE BANJO  
Thread NPTF (O-ring and Pre-applied sealant)



Mod.	OD	Thread
T7622 53-32	5/32	10-32 UNF
T7622 04-32	1/4	10-32 UNF
T7631 04-02	1/4	1/8
T7631 04-04	1/4	1/4
T7631 05-02	5/16	1/8
T7631 06-04	3/8	1/4
T7631 06-06	3/8	3/8

### Fittings Mod. T7633- 6333

FEMALE BANJO  
Thread NPTF (Pre-applied sealant)



Mod.	OD	Thread
T7633 04-02	1/4	1/8
T7633 04-04	1/4	1/4
T6333 06-04	3/8	1/4

### Fittings Mod. T7580

REDUCER UNION / EQUAL UNION



Mod.	OD	OD2
T7580 53-00	5/32	5/32
T7580 04-00	1/4	1/4
T7580 04-53	1/4	5/32
T7580 05-00	5/16	5/16
T7580 06-00	3/8	3/8
T7580 06-04	3/8	1/4
T7580 08-00	1/2	1/2
T7580 08-06	1/2	3/8

### Fittings Mod. T7550

UNION ELBOW



Mod.	OD
T7550 53-00	5/32
T7550 04-00	1/4
T7550 05-00	5/16
T7550 06-00	3/8
T7550 08-00	1/2

### Fittings Mod. T7540

REDUCER TEE / EQUAL TEE



Mod.	OD	OD2
T7540 53-00	5/32	5/32
T7540 04-00	1/4	1/4
T7540 04-04-53	1/4	5/32
T7540 05-00	5/16	5/16
T7540 06-00	3/8	3/8
T7540 06-06-04	3/8	1/4
T7540 08-00	1/2	1/2
T7540 08-08-06	1/2	3/8

**Fittings Mod. T7560**

REDUCER Y / EQUAL Y

Mod.	OD	OD2
T7560 53-00	5/32	5/32
T7560 04-00	1/4	1/4
T7560 05-00	5/16	5/16
T7560 06-00	3/8	3/8
T7560 06-04	3/8	1/4
T7560 08-00	1/2	1/2
T7560 08-06	1/2	3/8

**Fittings Mod. T6593**BULKHEAD FEMALE STRAIGHT  
Thread NPTF

Mod.	OD	Thread
T6593 53-02	5/32	1/8
T6593 04-02	1/4	1/8
T6593 04-04	1/4	1/4
T6593 05-02	5/16	1/8
T6593 05-04	5/16	1/4
T6593 05-06	5/16	3/8
T6593 06-06	3/8	3/8
T6593 08-06	1/2	3/8
T6593 08-08	1/2	1/2

**Fittings Mod. T7600**

UNION CROSS

Mod.	OD
T7600 04-00	1/4
T7600 06-00	3/8

**Fittings Mod. T7529**

BULKHEAD UNION ELBOW

Mod.	OD
T7529 53-00	5/32
T7529 04-00	1/4

**Fittings Mod. T7545**

REDUCER TRIPLE BRANCH UNION

Mod.	OD	OD2
T7545 04-53	1/4	5/32
T7545 06-04	3/8	1/4

**Fittings Mod. T6590**BULKHEAD UNION  
Nickel plated brass

Mod.	OD
T6590 53-00	5/32
T6590 04-00	1/4
T6590 05-00	5/16
T6590 06-00	3/8
T6590 08-00	1/2

**Fittings Mod. T7750**

TUBE CAP

Mod.	OD
T7750 53-00	5/32
T7750 04-00	1/4
T7750 05-00	5/16
T7750 06-00	3/8
T7750 08-00	1/2



**Fittings Mod. T7555**

PLUG-IN ELBOW

Mod.	OD
T7555 53-00	5/32
T7555 04-00	1/4
T7555 05-00	5/16
T7555 06-00	3/8
T7555 08-00	1/2



**Fittings Mod. T7565**

PLUG-IN Y

Mod.	OD
T7565 53-00	5/32
T7565 04-00	1/4
T7565 05-00	5/16
T7565 06-00	3/8



**Fittings Mod. T7435**

PLUG-IN BRANCH TEE

Mod.	OD
T7565 53-00	5/32
T7565 04-00	1/4
T7565 05-00	5/16
T7565 06-00	3/8



**Fittings Mod. T7800**

PLUG-IN REDUCER

Mod.	OD	STEM
T7800 53-04	5/32	1/4
T7800 04-53	1/4	5/32
T7800 05-04	5/16	1/4
T7800 06-04	3/8	1/4
T7800 06-05	3/8	5/16
T7800 08-04	1/2	1/4
T7800 08-06	1/2	3/8



**Fittings Mod. T7445**

PLUG-IN RUN TEE

Mod.	OD
T7445 04-00	1/4
T7445 06-00	3/8
T7445 08-00	1/2



**Fittings Mod. T7950**

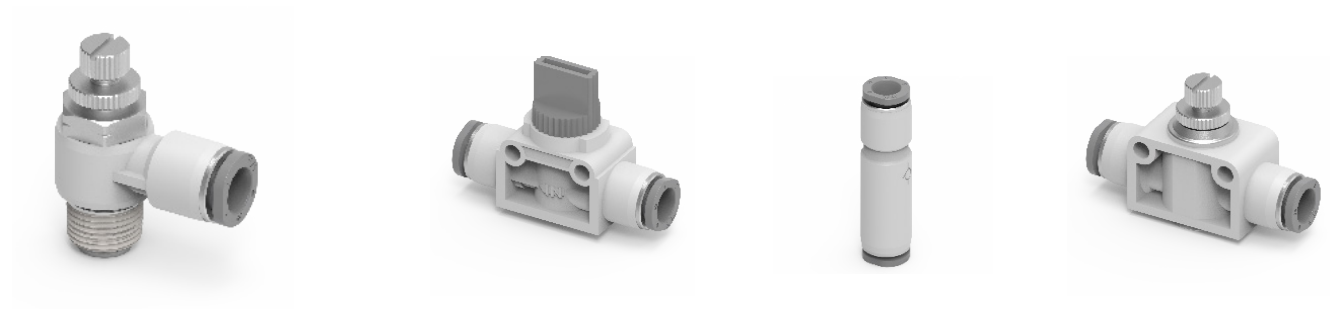
TUBE SPLICER

Mod.	OD
T7950 53-00	5/32
T7950 04-00	1/4
T7950 06-00	3/8
T7950 08-00	1/2





## SERIES 7000 - Function Fittings



### BENEFITS



### REGULATIONS



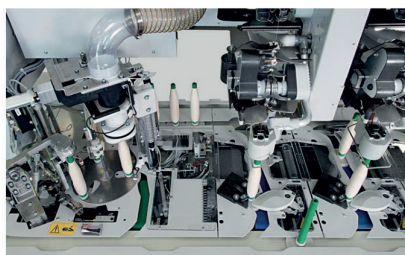
### GENERAL DATA

Applicable fluid	compressed air (Not applicable to gases or liquids)
Operating pressure	150PSI / 10.3 Bar 14.5 - 150 PSI (Flow Control Valve) The combination with the applied tube shall be decided based on the maximum operating pressure of the tube.
Cracking pressure	1.5~3 psi (Check Valve)
Negative pressure	29.5" Hg (Check Valve and Ball Valve only)
Operating temp range	32~140° F / 0~60°C
Hose materials used	polyurethane, nylon

### APPLICATIONS



Packaging equipment



Textile machinery



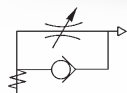
Vacuum devices



### Fittings Mod. CLFB-C

METER-OUT FLOW CONTROL

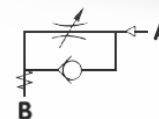
Mod.	OD	Thread
CLFB-32-53-C	5/32	10-32 UNF
CLFB-32-04-C	1/4	10-32 UNF
CLFB-02-04-C	1/4	1/8
CLFB-02-05-C	5/16	1/8
CLFB-02-53-C	5/32	1/8
CLFB-04-04-C	1/4	1/4
CLFB-04-05-C	5/16	1/4
CLFB-04-06-C	3/8	1/4
CLFB-04-53-C	5/32	1/4
CLFB-06-04-C	1/4	3/8
CLFB-06-05-C	5/16	3/8
CLFB-06-06-C	3/8	3/8
CLFB-06-08-C	1/2	3/8
CLFB-08-06-C	3/8	1/2
CLFB-08-08-C	1/2	1/2



### Fittings Mod. CLFB-V

METER-IN FLOW CONTROL

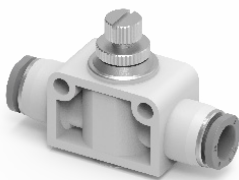
Mod.	OD	Thread
CLFB-32-53-V	5/32	10-32 UNF
CLFB-32-04-V	1/4	10-32 UNF
CLFB-02-04-V	1/4	1/8
CLFB-02-05-V	5/16	1/8
CLFB-02-53-V	5/32	1/8
CLFB-04-04-V	1/4	1/4
CLFB-04-05-V	5/16	1/4
CLFB-04-06-V	3/8	1/4
CLFB-04-53-V	5/32	1/4
CLFB-06-06-V	3/8	3/8
CLFB-08-06-V	3/8	1/2



### Fittings Mod. CLF

UNIDIRECTIONAL FLOW CONTROL - UNION STRAIGHT

Mod.	OD
CLF-T-53-U	5/32
CLF-T-04-U	1/4
CLF-T-06-U	3/8
CLF-T-08-U	1/2



### Fittings Mod. CLVNR

CHECK VALVE - UNION STRAIGHT

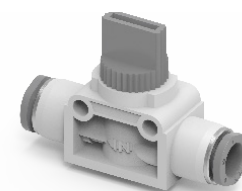
Mod.	OD
CLVNR-53	5/32
CLVNR-04	1/4
CLVNR-05	5/16
CLVNR-06	3/8



### Fittings Mod. CL29

HAND VALVE - UNION STRAIGHT

Mod.	OD
CL29-04-A	1/4
CL29-06-A	3/8
CL29-08-A	1/2





Automation

A Camozzi Group Company

[camozzi.com](http://camozzi.com)

## Contacts

**Camozzi Automation**  
2160 Redbud Blvd., Suite 101  
McKinney, TX 75069  
Tel. 972-548-8885  
[camozzi-usa.com](http://camozzi-usa.com)

**Customer Service**  
Tel. 972-548-8885  
[support@camozzi.com](mailto:support@camozzi.com)

**Sales Department**  
Tel. 972-548-8885  
[sales@camozzi.com](mailto:sales@camozzi.com)