

SERIES 7000 FLUIDICS
WATER COOLING FITTINGS



KEEP COOL

Safeguard
Data Systems.

SERIES 7000 FLUIDICS THE NEW PUSH-IN FITTING FOR COOLING SYSTEMS



FULL FLOW

Designed for optimal flow and efficient cooling

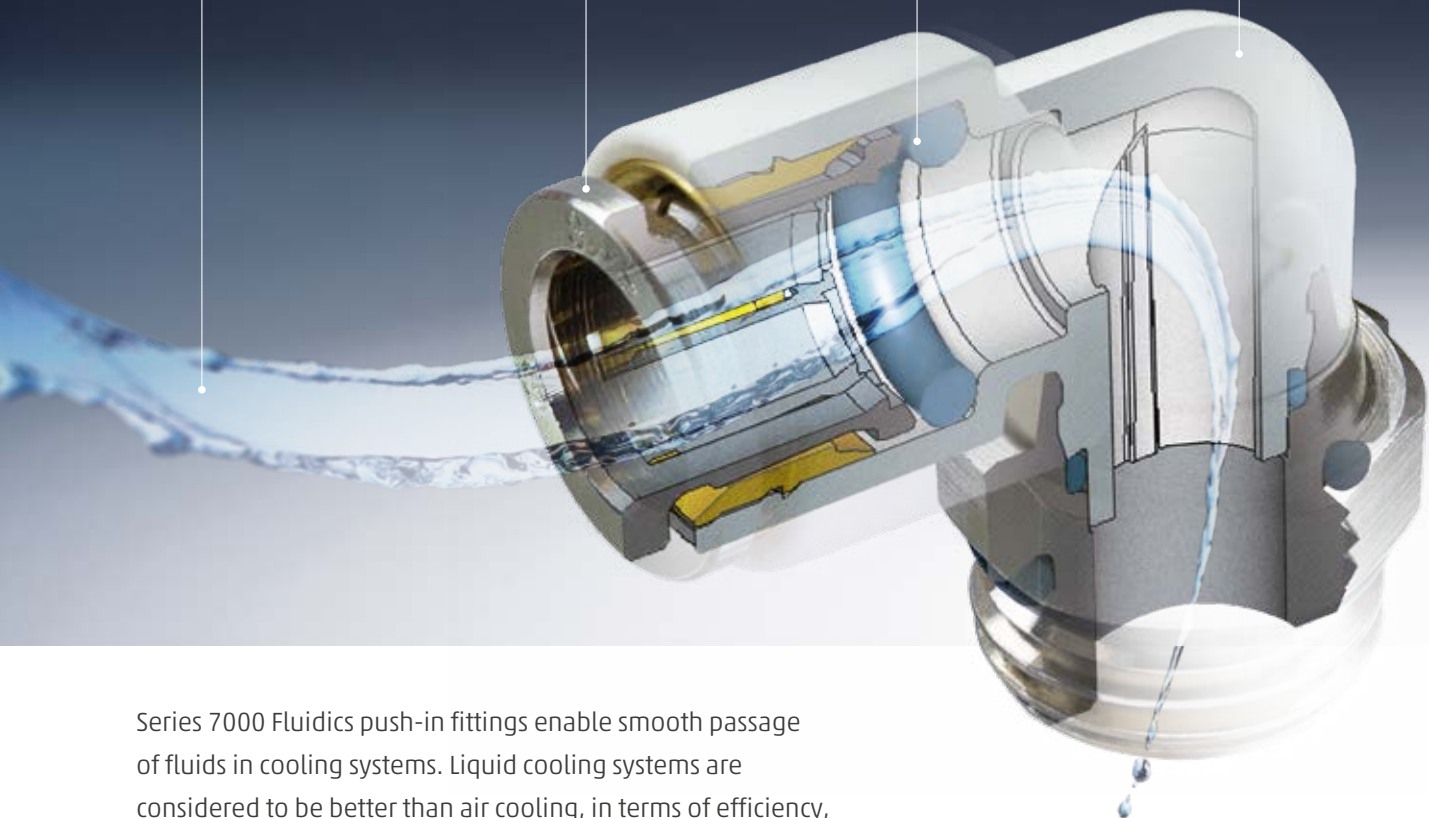
RELIABLE CONNECTION

EPDM SEAL

For Industrial water resistance

PA11 BODY

Bio-sourced and reliable



Series 7000 Fluidics push-in fittings enable smooth passage of fluids in cooling systems. Liquid cooling systems are considered to be better than air cooling, in terms of efficiency, effectiveness, compactness and noise in a wide range of applications from computer servers to industrial equipment. The Series 7000 Fluidics fitting range has been designed with a special technopolymer, based on renewable raw materials, that allows the component to resist water absorption, temperature variations and cooling liquid additives. The material maintains constant dimensional stability in contact with different fluids and does not breakdown with age.

Advanced gripping characteristics make the Series 7000 Fluidics an excellent alternative to traditional fittings, guaranteeing a uniform tightening on the whole surface of the tube. This enhances high reliability and resistance to repeated connections and disconnections of the tube. Reliable connection, compact dimensions and easy installation in confined spaces are only some of the features that make these new fittings an innovative solution for a wide range of cooling systems.

BENEFITS



Easy to connect and disconnect



Resistant to water pressure and erosion



Resistant to corrosion



Dimensional stability with water contact



Long life cycle

COMPUTER AND ELECTRONICS COOLING

101011000010110111001
0001010010101000101011



High reliability and resistance to fluids

Liquid cooling systems within electronic systems, data centres and power supplies for electronic systems require reliable and stable components to ensure equipment is protected from overheating and maintain data integrity.

Compact dimensions and resistance to corrosion and wear make the Series 7000 Fluidics a reliable solution, suitable to operate in cooling systems for servers and electronic systems.

Applications:

- Data centre racks
- Water cooling for Servers and Processors
- Aluminium Cold Plates
- Energy Storage: Power Pack, Batteries racks, Fuel cells

General Data

Diameters	Ø6mm	Ø8mm	Ø10mm	Ø12mm	Ø16mm
Working pressure at -20°/+40	16bar	16bar	14bar	14bar	12bar
Working pressure at -20°/+70°	16bar	14bar	12bar	10bar	8bar
Working pressure at -20°/+100°	14bar	12bar	10bar	8bar	6bar
Threads	GAS cylindrical ISO-228 (BSPP)				
Tube to connect	Polyurethane (PU), Polyethylene (PE), Polyamide (PA), Fluoropolymer (PTFE)				
Medium	Series 7000 is suitable for use with both standard industrial water supplies and a range of specialist cooling fluids. (Please contact us to discuss individual requirements).				
Materials	Body: technopolymer PA11. Seals: EPDM. Threads: chemical nickel plating. Collet (not in contact with cooling fluid): nickel plated.				

SERIES 7000 FLUIDICS

THE RANGE



Mod. F6512K

BSP Male Connector



Mod.

F6512 6-1/8K	F6512 8-1/4K	F6512 10-3/8K	F6512 12-1/2K
F6512 6-1/4K	F6512 8-3/8K	F6512 10-1/2K	F6512 16-1/2K
F6512 8-1/8K	F6512 10-1/4K	F6512 12-3/8K	F6512 16-3/4K

Mod. F6463K

BSP Female Connector



Mod.

F6463 6-1/8K	F6463 8-1/4K	F6463 10-3/8K	F6463 12-1/2K
F6463 6-1/4K	F6463 8-3/8K	F6463 10-1/2K	F6463 16-1/2K
F6463 8-1/8K	F6463 10-1/4K	F6463 12-3/8K	F6463 16-3/4K

Mod. F6700K

Cartridge



Mod.

F6700 6K
F6700 8K
F6700 10K

Mod. F7522K

BSP Male Swivel Elbow



Mod.

F7522 6-M5K	F7522 8-1/4K	F7522 10-1/2K	F7522 16-1/2K
F7522 6-1/8K	F7522 8-3/8K	F7522 12-1/4K	F7522 16-3/4K
F7522 6-1/4K	F7522 10-1/4K	F7522 12-3/8K	
F7522 8-1/8K	F7522 10-3/8K	F7522 12-1/2K	

Mod. F7526K

Long BSP Male Swivel Elbow



Mod.

F7526 6-1/8K	F7526 8-1/4K	F7526 10-3/8K	F7526 12-1/2K
F7526 6-1/4K	F7526 8-3/8K	F7526 10-1/2K	F7526 16-1/2K
F7526 8-1/8K	F7526 10-1/4K	F7526 12-3/8K	F7526 16-3/4K

Mod. F7550

Elbow Connector



Mod.

F7550 6
F7550 8
F7550 10

F7550 12
F7550 16

Mod. F7580

Union Connector



Mod.

F7580 6
F7580 8

F7580 10
F7580 12

Mod. F7540

Tee Connector



Mod.

F7540 6
F7540 8
F7540 10

F7540 12
F7540 16

Mod. F7560

Y Connector - Reducer



Mod.
F7560 6
F7560 8
F7560 10

Mod. F7545

Multi Tee Reducer



Mod.
F7545 8-6
F7545 10-8

Mod. F7555

Junction Elbow



Mod.
F7555 6-6 F7555 10-10
F7555 8-8 F7555 12-12

Mod. F7800

Reducer Junction



Mod.
F7800 4-6 F7800 6-8 F7800 6-12 F7800 8-12
F7800 4-8 F7800 6-10 F7800 8-10 F7800 10-12

Mod. F6750K

Female Plug



Mod.
F6750 6K
F6750 8K F6750 12K
F6750 10K F6750 16K

Mod. 6900

Plastic Male Plug



Mod.
6900 6 6900 10
6900 8 6900 12

Mod. 2611

BSP Male Plug



Mod.
2611 1/8 2611 1/2
2611 1/4 2611 1
2611 3/8

Accessori Mod. 3033

4 Ways Distribution Block with fixing holes.
Material: anodized Aluminium



Mod.
3033 1/8 3033 3/8
3033 1/4 3033 1/2

Accessori Mod. 3043

Manifold with double lateral outlets
Material: anodized Aluminium



Mod.
3043 1/4-3D-1/8 3043 1/4-6D-1/8 3043 3/8-5D-1/4 3043 1/2-4D-3/8
3043 1/4-4D-1/8 3043 3/8-3D-1/4 3043 3/8-6D-1/4 3043 1/2-5D-3/8
3043 1/4-5D-1/8 3043 3/8-4D-1/4 3043 1/2-3D-3/8 3043 1/2-6D-3/8

Accessori Mod. 3053

Manifold with lateral outlets
Material: anodized Aluminium



Mod.
3053 1/4-3L-1/8 3053 1/4-6L-1/8 3053 3/8-5L-1/4 3053 1/2-4L-3/8
3053 1/4-4L-1/8 3053 3/8-3L-1/4 3053 3/8-6L-1/4 3053 1/2-5L-3/8
3053 1/4-5L-1/8 3053 3/8-4L-1/4 3053 1/2-3L-3/8 3053 1/2-6L-3/8

Contacts

Camozzi Automation S.p.A.

Società Unipersonale
Via Eritrea, 20/I
25126 Brescia
Italy
Tel. +39 030 37921
info@camozzi.com

Customer Service

Tel. +39 030 3792790
service@camozzi.com

Export Department

Tel. +39 030 3792262
sales@camozzi.com

